



32205 B

- Popular item
- SKF Explorer

Tapered roller bearings, single row

Bearing data

[Tolerances,](#)

Normal and CL7C, CLN, Normal and CL, deviating width

Bearing interfaces

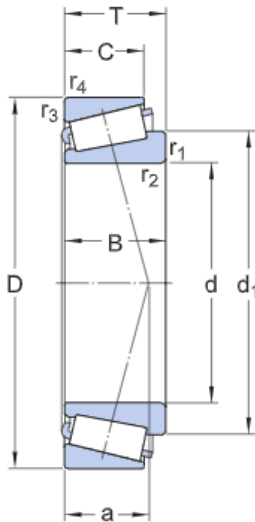
[Seat tolerances for standard conditions,](#)

[Tolerances and resultant fit](#)

Technical specification

Dimension series

5CD

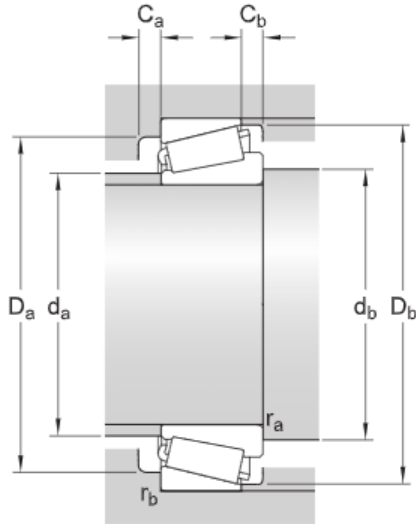


DIMENSIONS

d	25 mm	Bore diameter
D	52 mm	Outside diameter
T	19.25 mm	Total bearing width
d1	≈41.5 mm	Inner ring shoulder diameter
B	18 mm	Width inner ring
C	15 mm	Width outer ring
r1,2	min.1 mm	Corner radius inner ring
r3,4	min.1 mm	Corner radius outer ring
a	15.81 mm	Distance pressure point

ABUTMENT DIMENSIONS

da	max.30 mm	Abutment diameter shaft
	min.32	Abutment



d_b	mm	diameter shaft
D_a	min.41 mm	Abutment diameter housing
D_a	max.46.5 mm	Abutment diameter housing
D_b	min.50 mm	Abutment diameter housing
C_a	min.3 mm	Abutment housing - axial space at the large side face/ both sides of the outer ring
C_b	min.4 mm	Abutment housing - axial space at the small side face/ both sides of the outer ring
r_a	max.1 mm	Fillet radius
r_b	max.1 mm	Fillet radius

CALCULATION DATA

Basic dynamic load rating	C	44.5 kN
Basic static load rating	C_0	44 kN
Fatigue load limit	P_u	4.65 kN
Reference speed		10 000 r/min
Limiting speed		13 000 r/min
Calculation factor	e	0.57
Calculation factor	Y	1.05
Calculation factor	Y_0	0.6

MASS

Mass bearing	0.19 kg
--------------	---------